

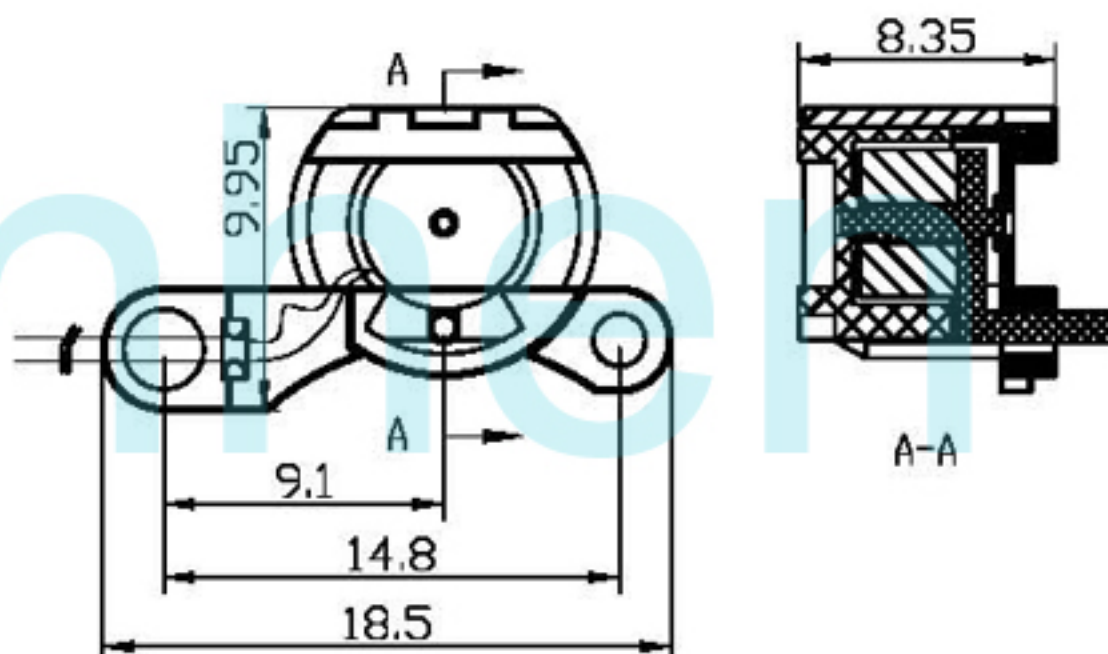
ZHS-0508 Swing Solenoid

ISO/TS16949 ISO9000 ISO14000
RoHS REACH CE UL VDE TÜV



总重量 Total Weight: 2g
应用范围: 摄像头红外镜片、白片切换
APPLICATION: Change lens

类型: 摆动式 TYPE: SWING TYPE



单位:mm Units:mm

综合特性 GENERAL FEATURES

- | | |
|---------------------------------|---|
| 1. 最低工作电压 LEAST WORK VOLTAGE | DC2.5V DC2.5V |
| 2. 保持扭矩 KEEP FORCE | 0.2Nmm 0.2Nmm |
| 3. 温升 (TEMPERATURE RISE) | 在电压DC-3V下, 温升为65℃Max AFTER DC-3V APPLIED BY RESISTANCE METHOD 65 deg MAX |
| 4. 寿命 (LIFE) | 典型值为10万次(通电50毫秒, 断电250毫秒) REPETITIVE OPERATION FOR 0.1 MILLION CYCLE (ON:50mSec OFF:250mSec) at DC3V |
| 5. 耐电压 (DIELECTRIC STRENGTH) | 线圈和框架间AC200V (50/60Hz) 1Min或 AC250V (50/60Hz) 1Sec (击穿电流1mA) BETWEEN COIL AND FRAME AC200V (50/60Hz) 1Min OR AC250V (50/60Hz) 1Sec (1mA) |

COIL DATA线圈资料

| | | | |
|---|-----------------------------------|----------------------------------|---------------------|
| 工作周期(%) = $\frac{\text{工作时间}}{\text{工作时间} + \text{断开时间}} \times 100\%$ Duty cycle (%) = $\frac{\text{"ON" time}}{\text{"ON" time} + \text{"OFF" time}} \times 100\%$ | 间断 Or less 25% | 间断 Or less 10% | 间断 Or less 5% |
| 最大工作时间(秒) MAX. "on" time in seconds | 55 | 19 | 3 |
| 瓦特(W) (在20℃) Watts at 20℃ | 1.6 | 3.2 | 8 |
| 安匝数AT (在20℃) Ampere-turns at 20℃ | 90 | 140 | 220 |
| 型号 Type no. | 阻值(20℃) Resistance (Ω) ±10% | 起始扭矩 (Nmm) Starting Torque | 电压(VDC) VoltS DC |
| ZHS-0508-XX A XX | 12 | 0.2 | 3 |
| 电压Voltage (V) | 48 | 0.2 | 6 |
| 系列号Serial No.: A, B, C... | 108 | 0.2 | 9 |
| 电阻Resistance (Ω) | 192 | 0.2 | 12 |

